



iSWITCH

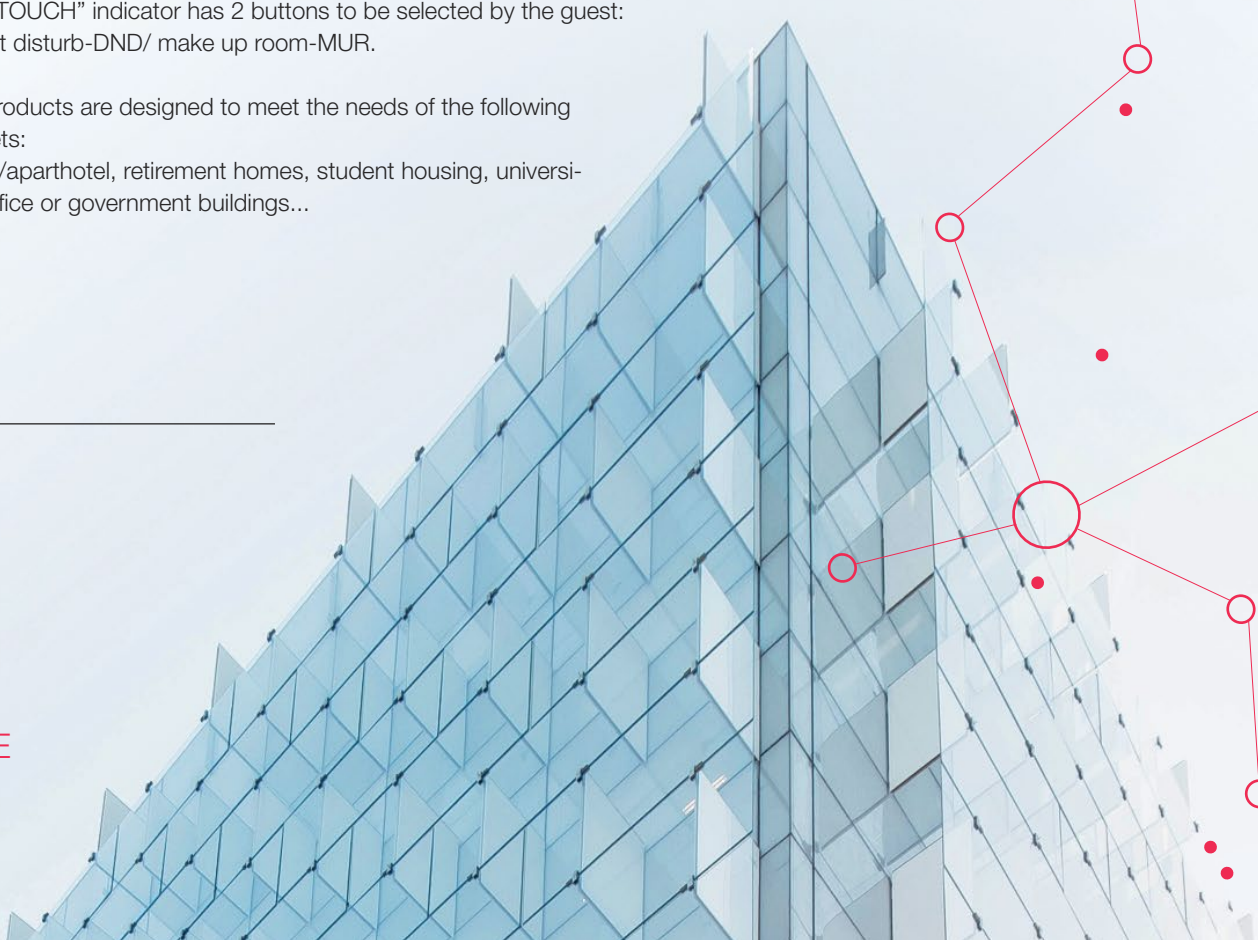
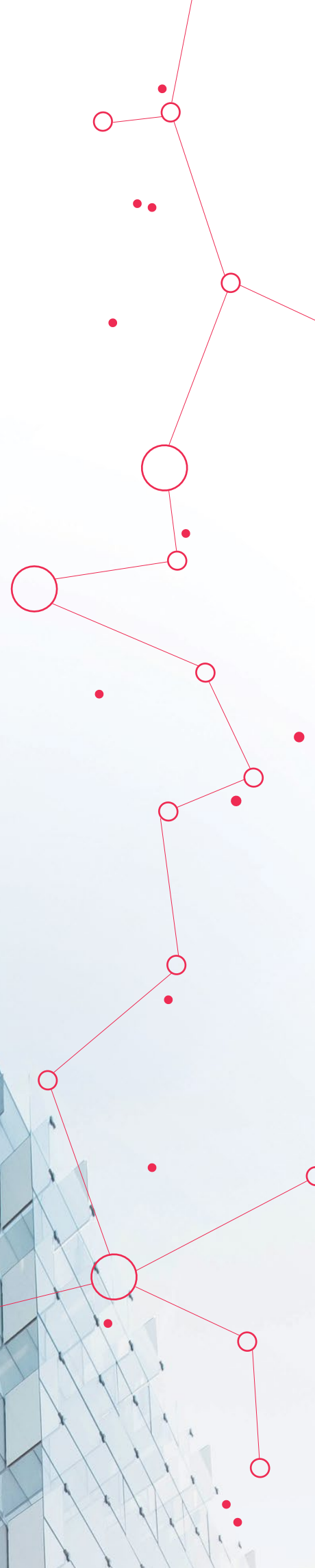
SISTEMAS DE GESTIÓN DE ENERGÍA ENERGY MANA- GEMENT SYSTEMS

DND /MUR “iTouch” button

The “iTOUCH” indicator has 2 buttons to be selected by the guest:
Do not disturb-DND/ make up room-MUR.

Our products are designed to meet the needs of the following
markets:
hotels/aparthotel, retirement homes, student housing, universi-
ties, office or government buildings...

**WE MAKE
SENSE**



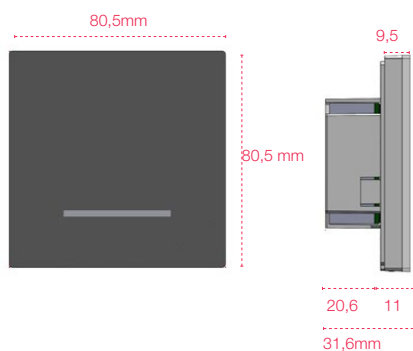


Characteristics

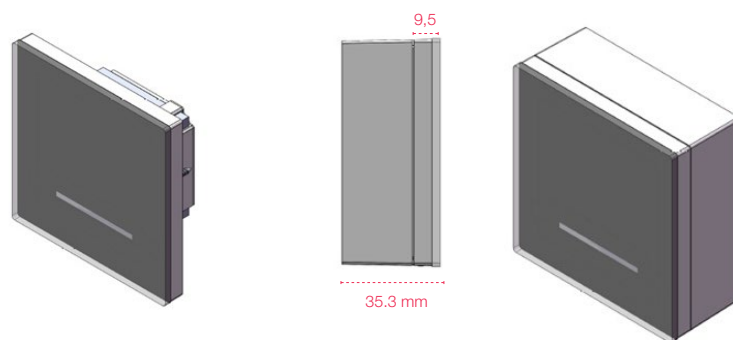
DESCRIPTION	DND/MUR "ITOUCH" button (inside the room)
REFERENCE	Recess model - DMTxIIF20303001 Surface accessory- CJACCTOUCHV0-1x
POWER	100 - 240 V~ 50/60 Hz
POWER CABLES	PCB Board Connector, rising clamp system/2.5mm2 max
COMMUNICATIONS	2,4GHz, IEEE 802.15.4 wireless
COMMUNICATIONS COVERAGE	10-50m (depends on obstacles/interference etc)
USER INTERFACE	· 2 backlit 20x20mm capacitive buttons. · Configuration dip switch.
PILOT LIGHTS	2 color buttons (red & green). Position lights (blue)
OPERATING TEMPERATURE	-10°C to 60 °C
BACK HOUSING	ABS fireproof material (according to norm UL 94 V-0)
DIMENSIONS	Recessed model: 80,5 x 80,5 x 31,6 mm Surface model: 80,5 x 80,5 x 35,3 mm
WEIGHT	100 grs

Dimensions:

Recessed model



Surface model



System benefits

BUTTONS. The device has 2 capacitive buttons to select between "Do not disturb"-DND or "make up room"- MUR.

VISUALIZATION. 2 ways: on the iVIEW web application or on the indicator device installed outside the room.

STANDALONE OPERATING WAY / ENERGY SAVER ENABLED OPERATING.

MODE CONFIGURATING SWITCHES: night mode, position light, autonomous mode.