



iSWITCH

SISTEMAS DE GESTIÓN DE ENERGÍA ENERGY MANA- GEMENT SYSTEMS

iSWITCH non card DIN rail mounted-
WIRELESS energy saver

ENKOA energy savers **enable saving up to 60% in the electrici-
ty bill** at the installed buidings.

Our products are designed to meet the needs of the following
markets:

hotels/aparthotel, retirement homes, student housing, universi-
ties, office or government buildings.....

WE MAKE
SENSE

ENKOA



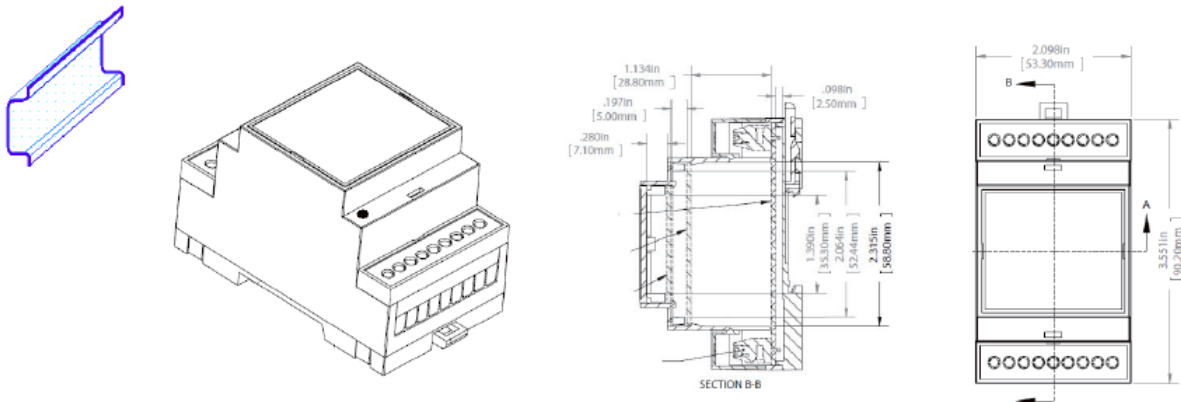
ISWITCH NON CARD DIN RAIL MOUNTED- WIRELESS ENERGY SAVER



Characteristics

DESCRIPTION	iSWITCH non card DIN rail mounted- WIRELESS energy saver (without RFID)
REFERENCE	DERXxBx70
POWER	100-240 V~/ 50-60Hz
CONSUMPTION	30 mA nominal.Max. 50 mA (240 V~)
OUTPUT RELAY	2 relay: 2 relays free voltage with 1 contact N.O. Cutting power: 12 A, 240 V~, cos φ = 1
COMMUNICATIONS	2,4GHz, IEEE 802.15.4 wireless
PILOT LIGHTS	Tricolour led (Amber, red and green).
HOUSING	ABS Fireproof material (according to norm UL 94 V-0)
MODULE WIDTH	3
DIMENSIONS/WEIGHT	90,2 mm (width)x 53,2mm (height) y 57,5 mm (depth) / 140 grs

Dimensions



Benefits

ENERGY SAVING It turns power off when the guest leaves the room, to prevent from air conditioning, lighting...to be left on.

CARDLESS No card required to operate. A button will be used for the synchronisation with the sensors.

WIRELESS COMMUNICATION WITH SENSORS It receives the information sent by sensors and acts accordingly.

HANDHELD energy saver's status visualization and factory default parameter modification using the handheld (optional).



Enkoa System S.L.

Polígono Erramone 45, 20850 Mendaro. Gipuzkoa. Spain
T +34 943 757 000 | info@enkoa.com
www.enkoa.com

